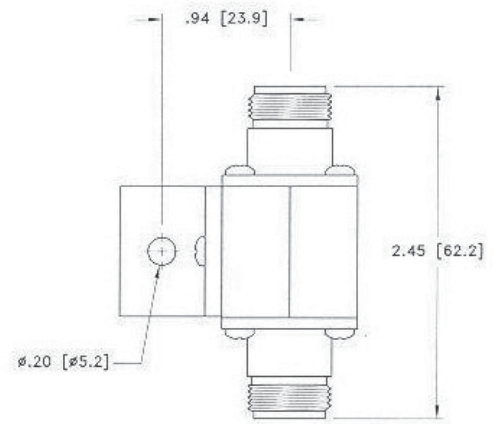
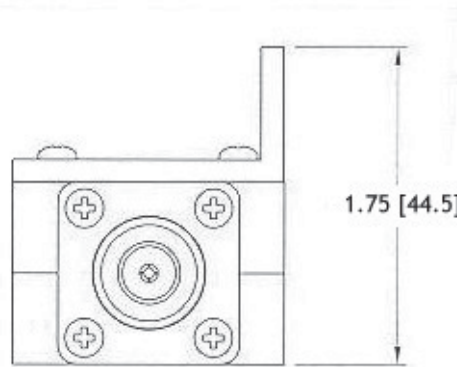
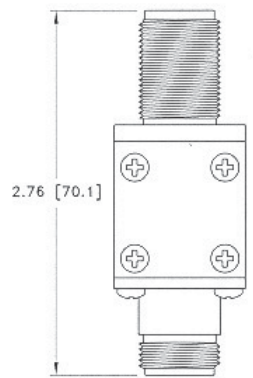
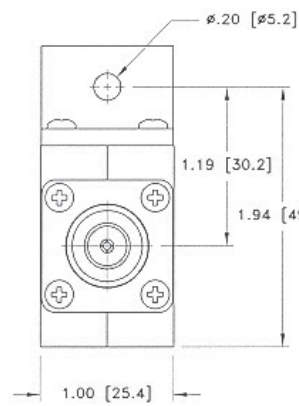
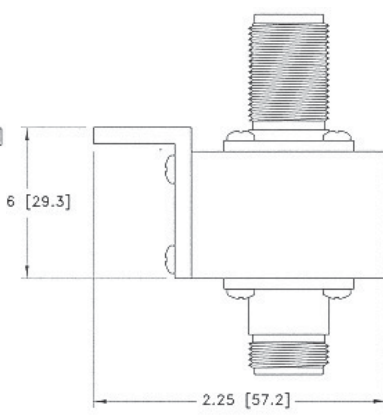
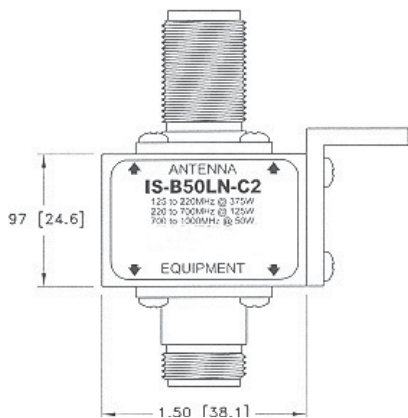


### Mounts



BWS03 Flange Mount



BWS07 Bulkhead Mount

### Mechanical Specifications

Model	Frequency Range	VSWR	Insertion Loss	Turn-on
-------	-----------------	------	----------------	---------

BWS03	125 - 1000 MHz	<1.1 over frequency range	<0.1 db over frequency range	600fb Vdc ± 20%
-------	----------------	---------------------------	------------------------------	-----------------

BWS07	125 - 1000 MHz	<1.1 over frequency range	<0.1 db over frequency range	600fb Vdc ± 20%
-------	----------------	---------------------------	------------------------------	-----------------

Model	Throughput Energy	Operating Temperature	Relative Humidity	Vibration
-------	-------------------	-----------------------	-------------------	-----------

BWS03	<220uJ for 8/20 s waveform	-45°C to +50°C	90% at 40°C	1G at 5Hz to 100Hz
-------	----------------------------	----------------	-------------	--------------------

BWS07	<220uJ for 8/20 s waveform	-45°C to +50°C	90% at 40°C	1G at 5Hz to 100Hz
-------	----------------------------	----------------	-------------	--------------------



### Technical Data

Maximum Power: 375W @ 125MHz decreasing to 50W @ 1GHz
Connector: NF to NF